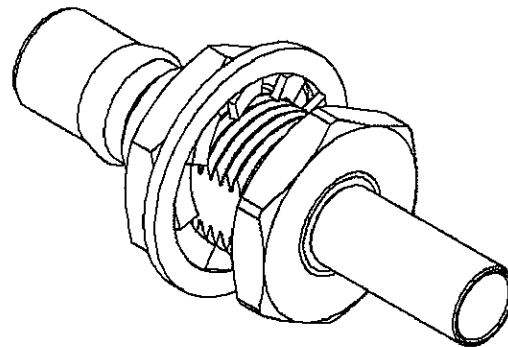
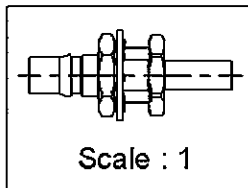
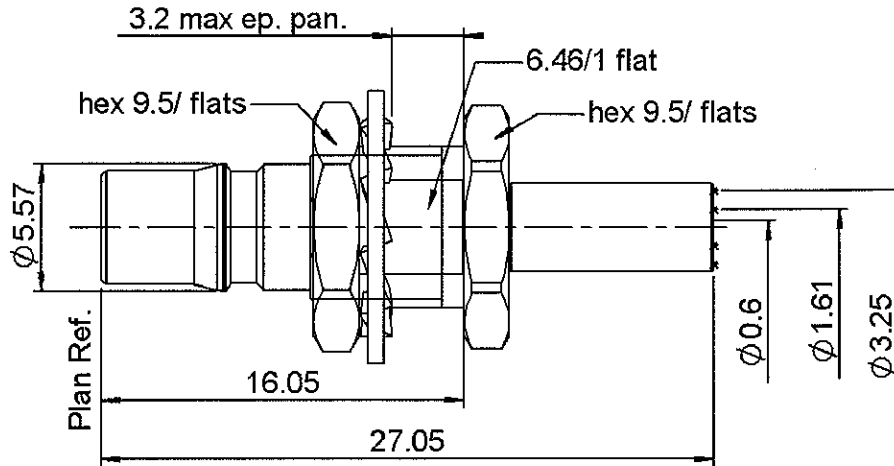


**STRAIGHT BULKHEAD JACK CRIMP TYPE**

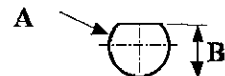
**R123.312.000**

**CABLE 2.6/50S**

Series : QMA

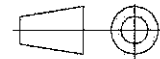


**PANEL CUT OUT**



mm		
	Maxi	mini
A	7.3	7.2
B	6.65	6.5

All dimensions are in mm.



COMPONENTS	MATERIALS	PLATINGS (µm)
BODY	BRASS	BBR 2
CENTER CONTACT	BERYLLIUM COPPER	NPGR
OUTER CONTACT		
INSULATOR	PTFE	
GASKET		
OTHERS PARTS	BRASS	BBR 2
-	-	-
-	-	-

Issue : 0544 C

In the effort to improve our products, we reserve the right to make changes judged to be necessary.



**RADIALL**®

**STRAIGHT BULKHEAD JACK CRIMP TYPE**

**R123.312.000**

**CABLE 2.6/50S**

Series : QMA

**PACKAGING**

Standard	Unit	Other
100	'W' option	Contact us

**SPECIFICATION**

**ELECTRICAL CHARACTERISTICS**

Impedance		50 Ω
Frequency		0-6 GHz
VSWR	1.15 +	0.020 x F(GHz) Maxi
Insertion loss		0.05 √F(GHz) dB Maxi
RF leakage	- (	***80 - F(GHz)) dB Maxi
Voltage rating		250 Veff Maxi
Dielectric withstanding voltage		750 Veff mini
Insulation resistance		5000 MΩ mini

**CABLE ASSEMBLY**

Stripping	a	b	c	d	e	f
mm	2.80	6.50	11.0	0.00	8.20	0.00

Assembly instruction : **Crimp 02**

Recommended cable(s)  
 RG 188  
 RG 316  
 KX 22A  
 ECO 316

Characteristics indicated on this data sheet are those that can be achieved with the highest performance cable. Intrinsic limitations of the cable may diminish the performance of the assembly

Cable retention  
 - pull off **90 N mini**  
 - torque **NA N.cm**

**MECHANICAL CHARACTERISTICS**

Center contact retention		
Axial force – Mating end	18	N mini
Axial force – Opposite end	18	N mini
Torque	NA	N.cm mini

**TOOLING**

Part Number	Description	Hexagon
.	.	.
R282.211.000	CRIMPING TOOL	3.25
R282.235.003	CRIMPING DIES	3.25
R282.281.000	CRIMPING TOOL	2x4 (pos. 5)
R282.293.000	CRIMPING TOOL	
R282.967.016	POSITIONER FOR CRIMPING TOOL	

Recommended torque		
Mating		N.cm
Panel nut	160	N.cm
Clamp nut		N.cm
A/F clamp nut	0.000	mm
Mating life	100	Cycles mini
Weight	5.050	g

**ENVIRONMENTAL**

Operating temperature	-40/+80	° C
Hermetic seal	NA	Atm.cm3/s
Panel leakage	NA	

**OTHERS CHARACTERISTICS**

\*\*Intermod.: -120dBc at 1.8GHz (2x20W)  
 \*\*\*RF Leakage interf only: 3<F<6GHz:>70dB

Issue : 0544 C

In the effort to improve our products, we reserve the right to make changes judged to be necessary.

